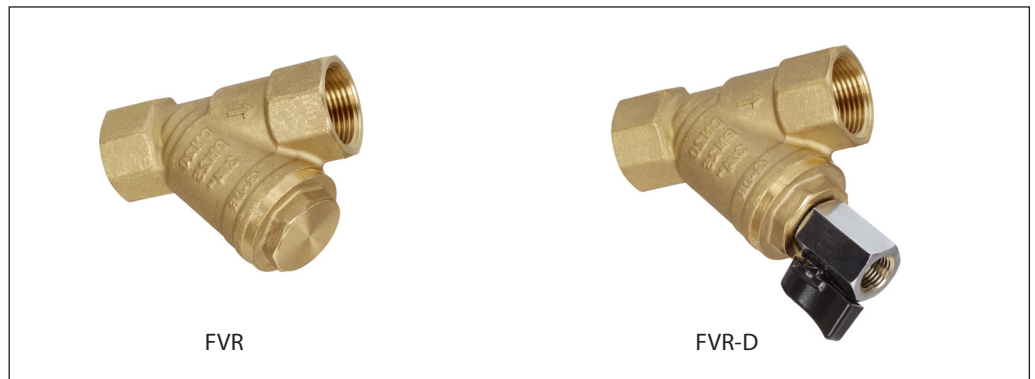


## FVR, FVR-D Strainers

### Description



FV strainer is used in heating and hot-water service systems to protect the fittings. The strainer filter traps foreign matters in the pipe water like welding beads, swarf, sand, etc. FV must be fitted in the system flow to protect the fittings from external foreign matters. FV must also be fitted ahead of sensitive components like meters, pumps, control valves to protect against internal foreign matters.

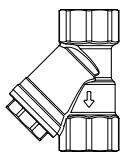
#### Features:

- Replaceable filter
- Version with draining ball valve (FVR-D)

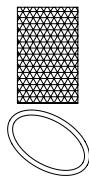
#### Main data:

- DN 10-50
- $k_{vs}$  3-36 m<sup>3</sup>/h
- PN 25
- Temperature: -10 ... 130 °C
- Medium: Circulation water / glycolic water up to 50 %
- Min. storage and transport temperature: -40 °C
- Threaded connection

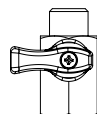
### Ordering

| Picture   | DN (mm) | $k_{vs}$ (m <sup>3</sup> /h) | FVR Code No.    | FVR-D Code No.  |
|---|---------|------------------------------|-----------------|-----------------|
|  | 10      | 3                            | <b>065B8234</b> | -               |
|   | 15      | 4,5                          | <b>065B8235</b> | <b>065B8241</b> |
|   | 20      | 7,9                          | <b>065B8236</b> | <b>065B8242</b> |
|   | 25      | 11,2                         | <b>065B8237</b> | <b>065B8243</b> |
|   | 32      | 17                           | <b>065B8238</b> | <b>065B8244</b> |
|   | 40      | 24,5                         | <b>065B8239</b> | <b>065B8245</b> |
|   | 50      | 36                           | <b>065B8240</b> | <b>065B8246</b> |

#### Spare parts - Screen

| Picture   | DN (mm) | FVR, FVR-D Code no. |
|---|---------|---------------------|
|  | 10      | <b>065B8247</b>     |
|   | 15      |                     |
|   | 20      | <b>065B8248</b>     |
|   | 25      | <b>065B8249</b>     |
|   | 32      | <b>065B8250</b>     |
|   | 40      | <b>065B8251</b>     |
|   | 50      | <b>065B8252</b>     |

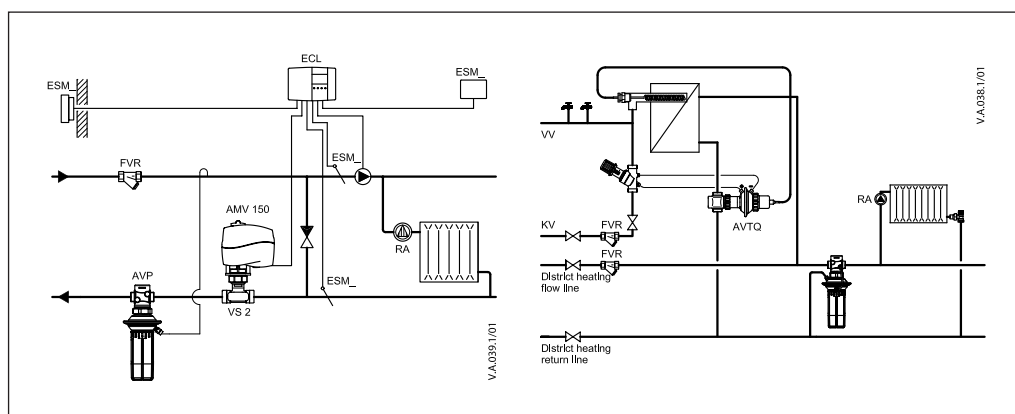
#### Accessories - Ball valve

| Picture   | DN (mm) | FVR-D Code no.  |
|---|---------|-----------------|
|  | 10      | <b>065B8254</b> |
|   | 15      |                 |
|   | 20      |                 |
|   | 25      |                 |
|   | 32      |                 |
|   | 40      |                 |
|   | 50      |                 |

Ordering

|                         |   |           |           |           |           |           |           |           |
|-------------------------|---|-----------|-----------|-----------|-----------|-----------|-----------|-----------|
| <b>Nominal diameter</b> | <b>DN</b>                                   | <b>10</b> | <b>15</b> | <b>20</b> | <b>25</b> | <b>32</b> | <b>40</b> | <b>50</b> |
| Value <sub>kvs</sub>    | m <sup>3</sup> /h                           | 3         | 4,5       | 7,9       | 11,2      | 17        | 24,5      | 36        |
| Nominal pressure        | PN  | 25        |           |           |           |           |           |           |
| Medium                  | Circulation water, glycolic water up to 50% |           |           |           |           |           |           |           |
| Medium pH               | Min. 7, Max. 10                             |           |           |           |           |           |           |           |
| Medium temperature      | °C  | 0 ... 130 |           |           |           |           |           |           |
| Mesh size               | µm  | 500       |           |           |           |           |           |           |
| Number of meshes        | n/cm <sup>2</sup>                           | 50        |           |           |           |           |           |           |
| Connection              | Internal thread Rp                          |           |           |           |           |           |           |           |
| <b>Materials</b>        |   |           |           |           |           |           |           |           |
| Body (strainer)         | Dezincification free brass                  |           |           |           |           |           |           |           |
| Plug (strainer)         | Dezincification free brass                  |           |           |           |           |           |           |           |
| Screen                  | Stainless steel                             |           |           |           |           |           |           |           |
| O-ring                  | EPDM  |           |           |           |           |           |           |           |
| Body (ball valve)       | Brass                                       |           |           |           |           |           |           |           |

Applications

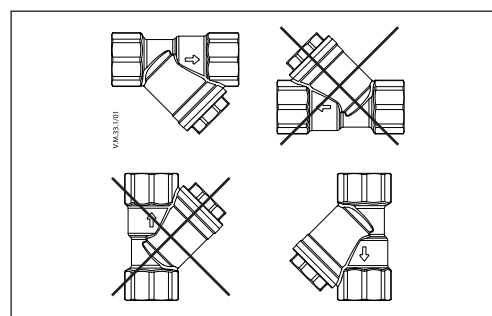


Installation positions

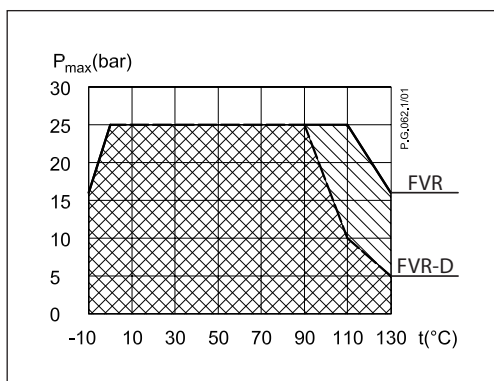
The medium flow direction must correspond to an arrow on the strainer body.

Strainers are to be installed in horizontal position with mesh bonnet directed downwards. Vertical position is also allowed (be aware - when medium flows upwards strainer retains all foreign particles but is not able to collect them).

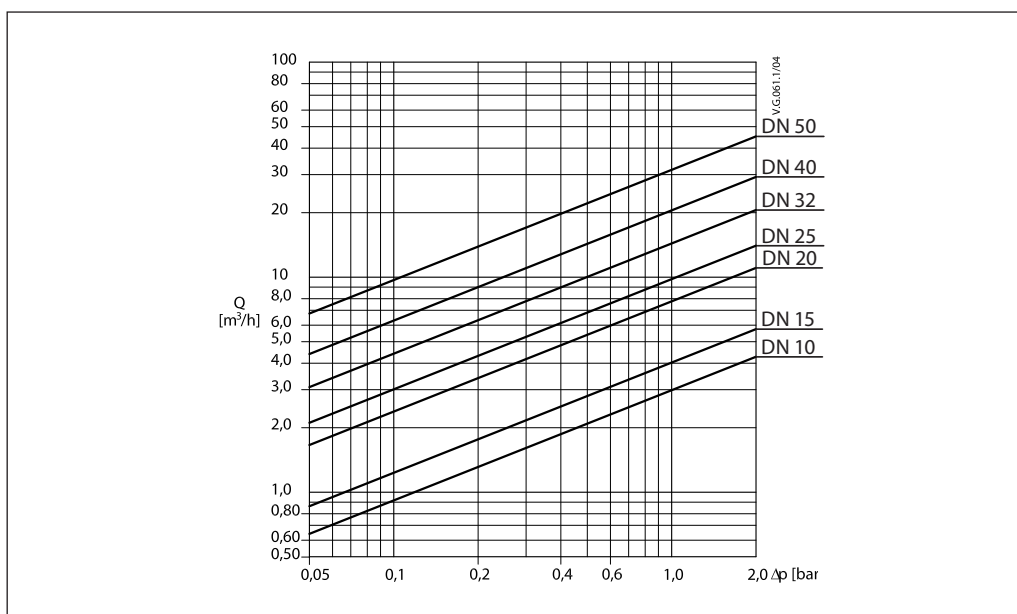
Sufficient space to pull out the mesh for replacement and cleaning must be ensured.



Pressure temperature diagram

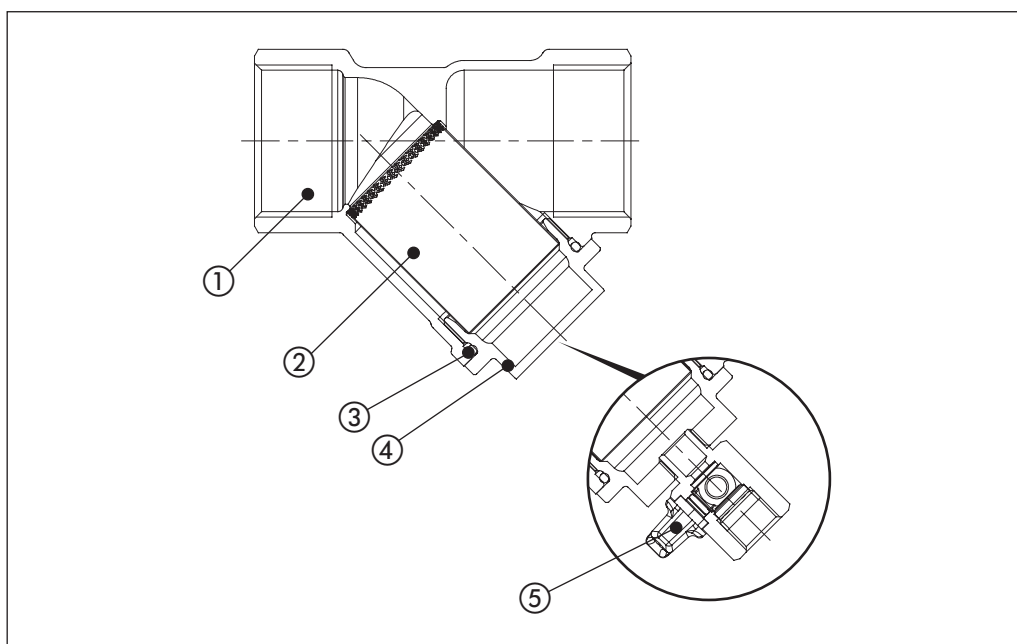


Sizing - Headloss chart



Design

1. Valve body
2. Screen
3. O-ring
4. Plug
5. Draining ball valve



Dimensions

